



Name	SB039 IP65 on-on $\phi$ 20.2mm
Rated Range	10(6)A 250VAC T8510A
Contact resistance	$\leq 50\text{m}\Omega$
Insulation resistance	$\geq 1000\text{M}\Omega$
Compressive strength	1500VAC 1Min
Electrical life	10000time
Mechanical life	10000time
Press power	4N
Operating temperature	$-25^{\circ}\text{C} \sim +105^{\circ}\text{C}$
Degree of protection	IP65
Hypothermia	$-25^{\circ}\text{C}$

Weldability

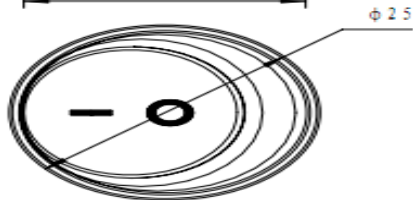
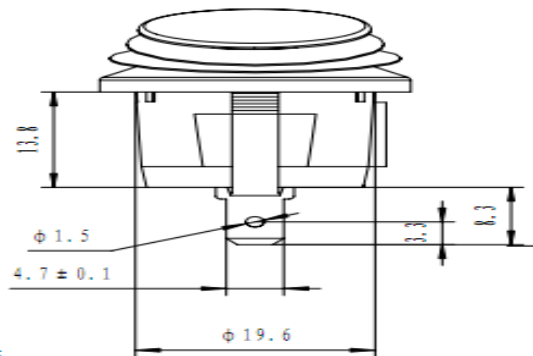
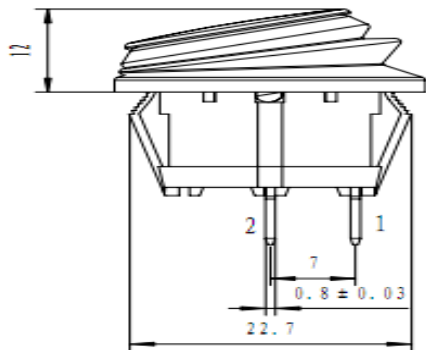
$\leq 260^{\circ}\text{C}$ ,  $\leq 3\text{S}$

Resistance to soldering heat pick

$\leq 260^{\circ}\text{C}$ ,  $\leq 3\text{S}$

Material

PA66



电原理图

2 ———— 1

外壳：黑色 钮罩：黑色 标记：白色

RUICHI